

# Feeney Tensioning Tool 90-degree Adapter Instructions

The Feeney Tensioning tool is designed to tension the cables at the end of a run terminating with a Quick-Connect® Inset fitting. The tool works with 1/8-in. and 3/16-in. diameter stainless steel CableRail.

*(Note: Not recommended for use on stair applications that have Quick-Connect® Inset fittings paired with Beveled Washers.)*

## 90-Degree Adapter

The 90-degree adapter is an add-on accessory to the Tensioning Tool. It is designed to accommodate cable tensioning in a restricted space, such as, where a terminating post is next to a wall, column, or other obstruction.

To replace the standard attachment with the 90-degree Adapter pull the attachment away from the tool. You may need to use a flat head screw driver to help pry it out. The 90-degree Adapter will slip into place, replacing the existing attachment. Secure the 90-degree Adapter in place using the thumb screw. (See Figure 1)

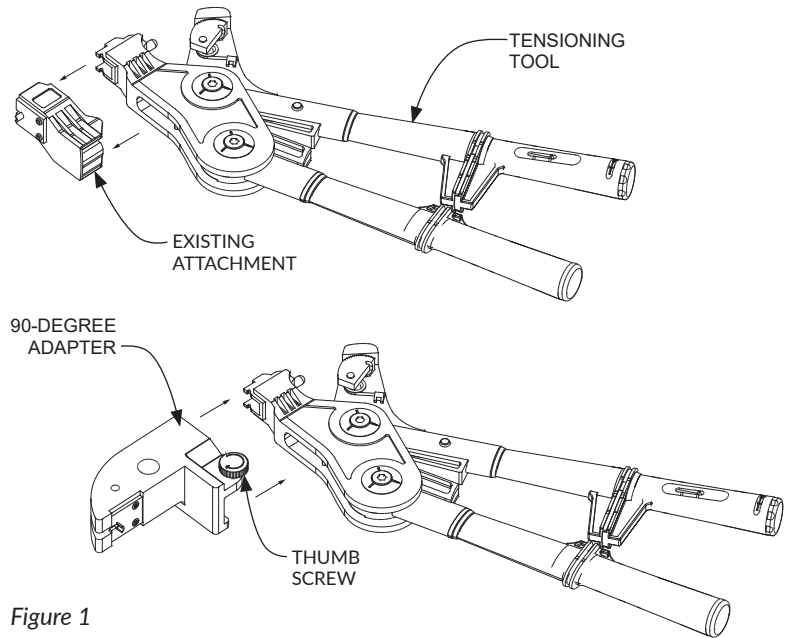


Figure 1

## Changing the Guide Plates

The 90-degree Adapter has interchangeable Guide Plates to accommodate different cable diameters. The Guide Plate for 1/8" is pre-attached. To change the plate for 3/16" diameter cable, remove the two screws and switch the Guide Plate and secure back in place.

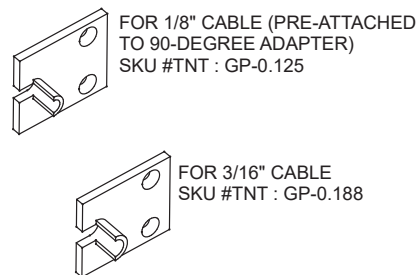


Figure 2

## Tensioning Tool Calibration

The Tensioning Tool is designed to control the level of cable tension.

Use the dial at the base of the handle to set the tension indicator to the lowest level, "Start". (See Figure 3)

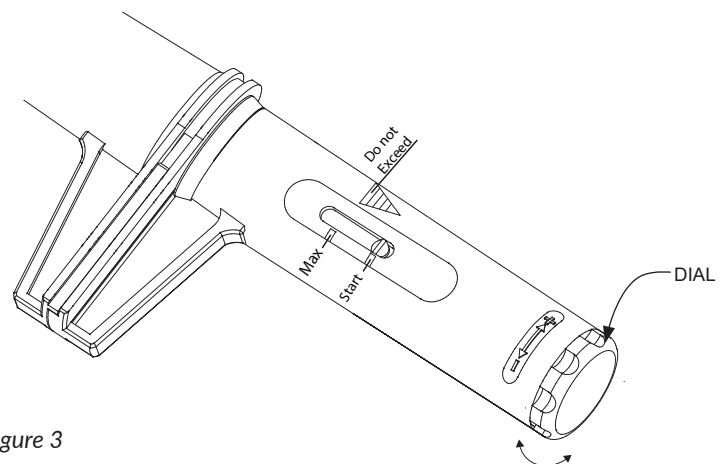


Figure 3